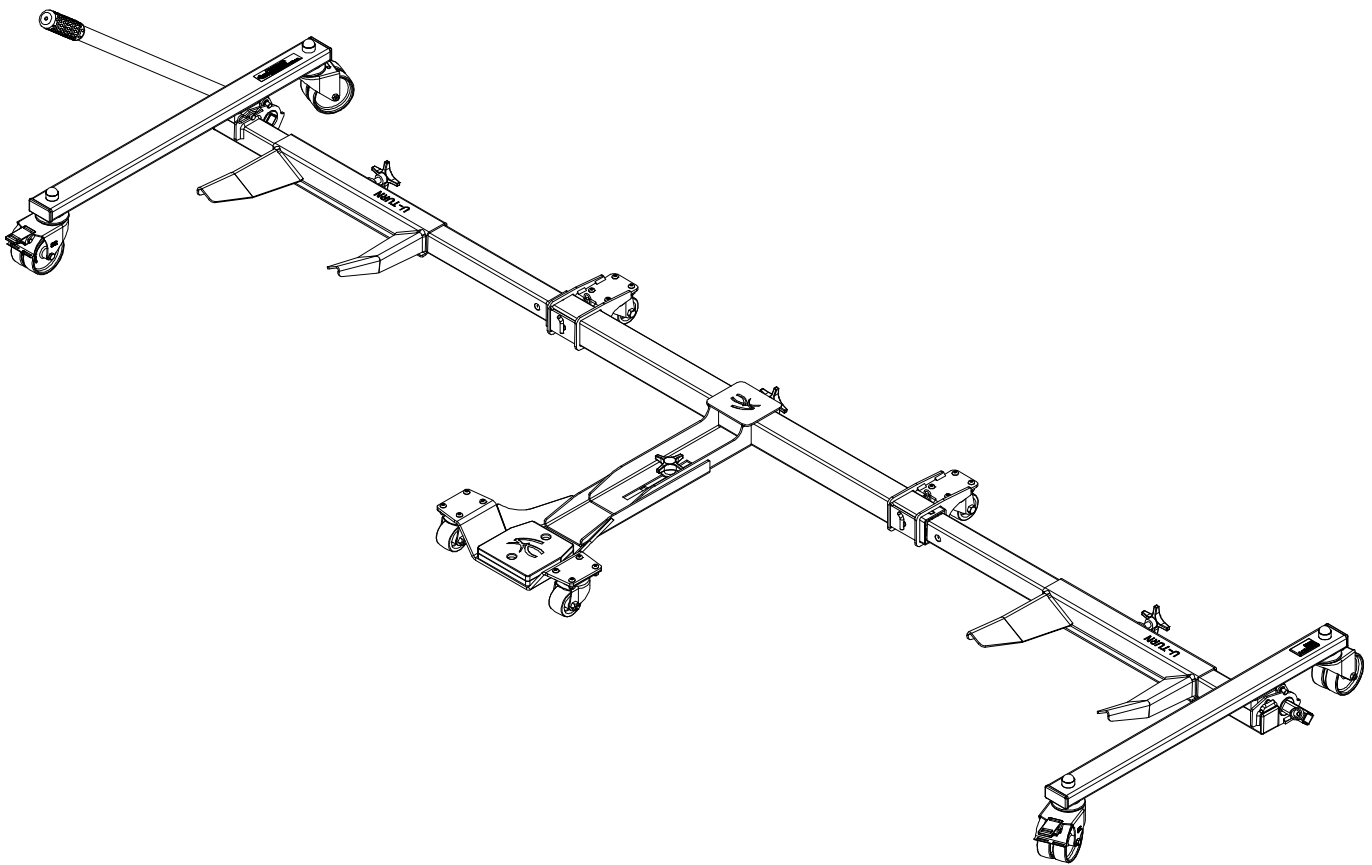


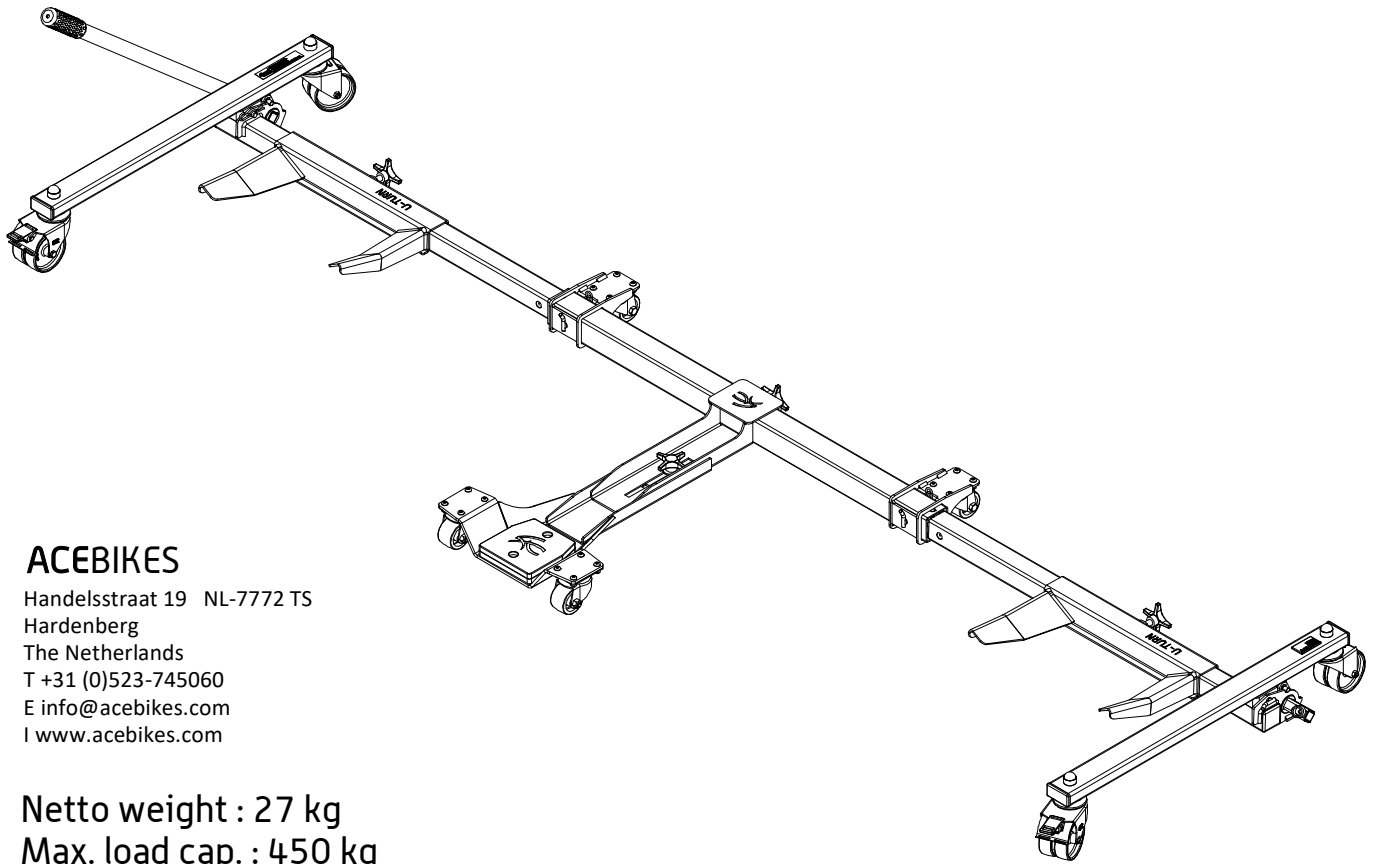
U-Turn XL MOTOR MOVER



ENG: Please understand, that AceBikes cannot be held responsible for any consequential loss or damage due to an improper assembly or use of the product.

DE: Bitte, haben Sie Verständnis dafür, dass AceBikes keine Haftung für Folgeschaden übernimmt, die durch eine unsachgemäße beziehungsweise mangelhafte Montage entstehen.

FR: Veuillez comprendre que AceBikes ne peut être tenu pour responsable des dommages consécutifs à un montage ou une utilisation incorrecte.

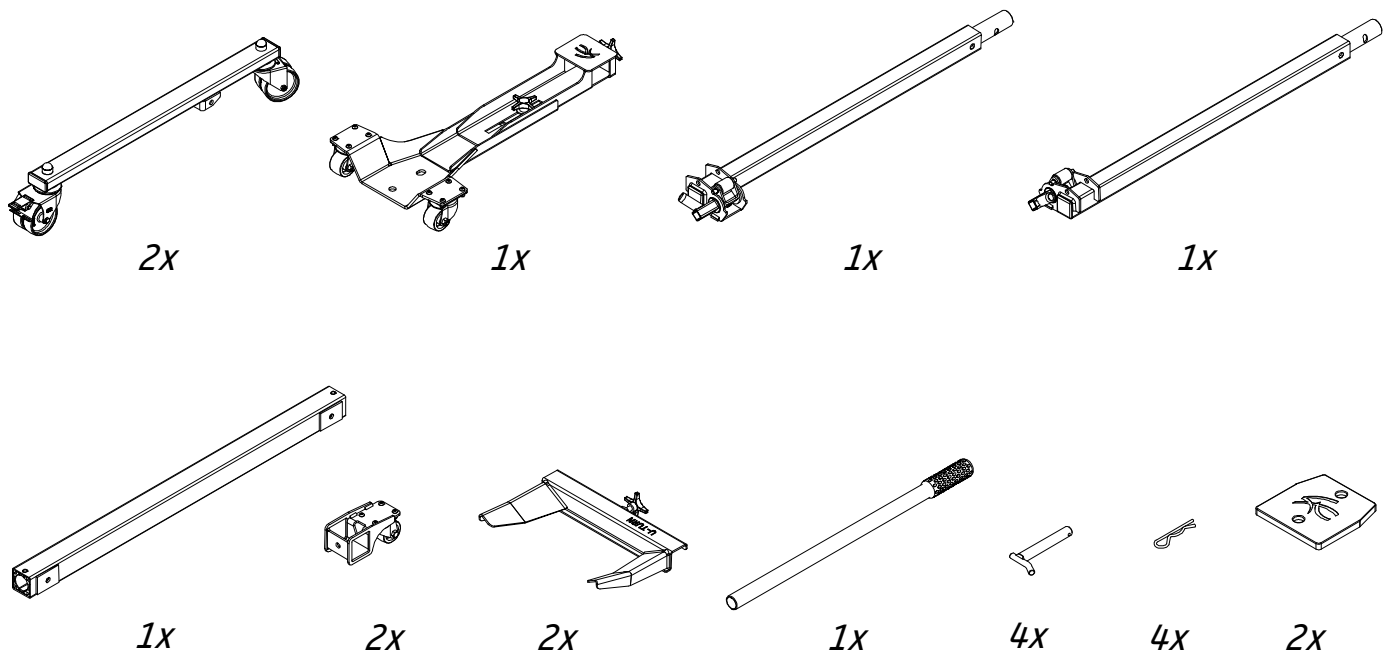


ACEBIKES

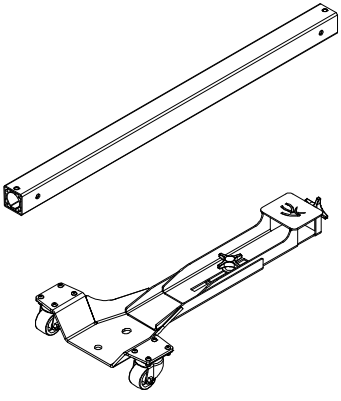
Handelsstraat 19 NL-7772 TS
 Hardenberg
 The Netherlands
 T +31 (0)523-745060
 E info@acebikes.com
 I www.acebikes.com

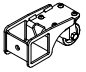
Netto weight : 27 kg
 Max. load cap. : 450 kg

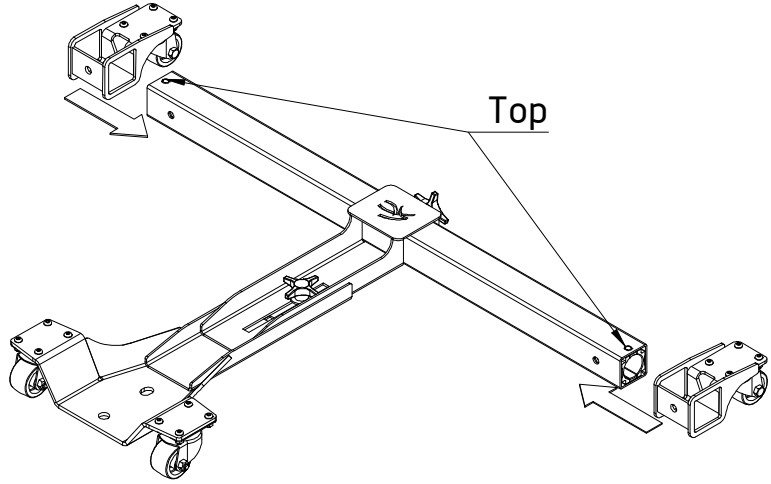
Designed in The Netherlands



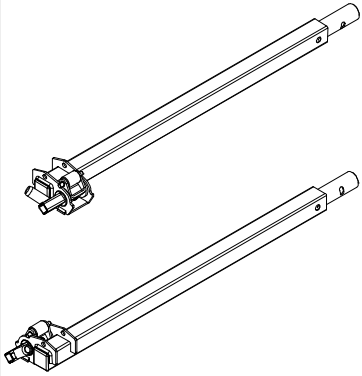
1




2x 

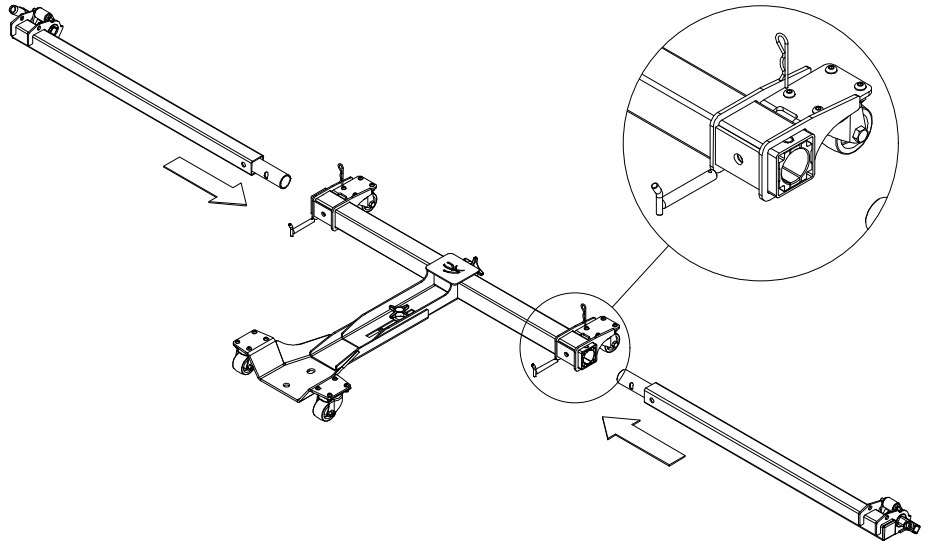


2

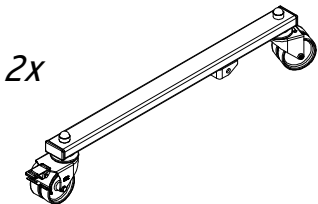


2x 

2x 

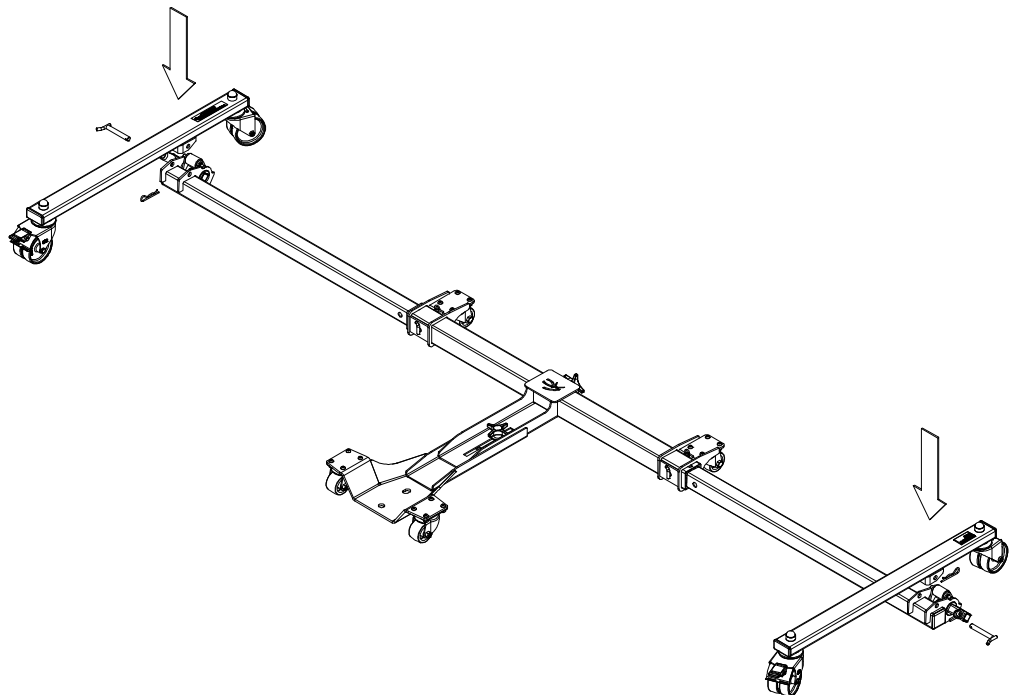


3



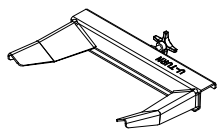
2x 

2x 



4

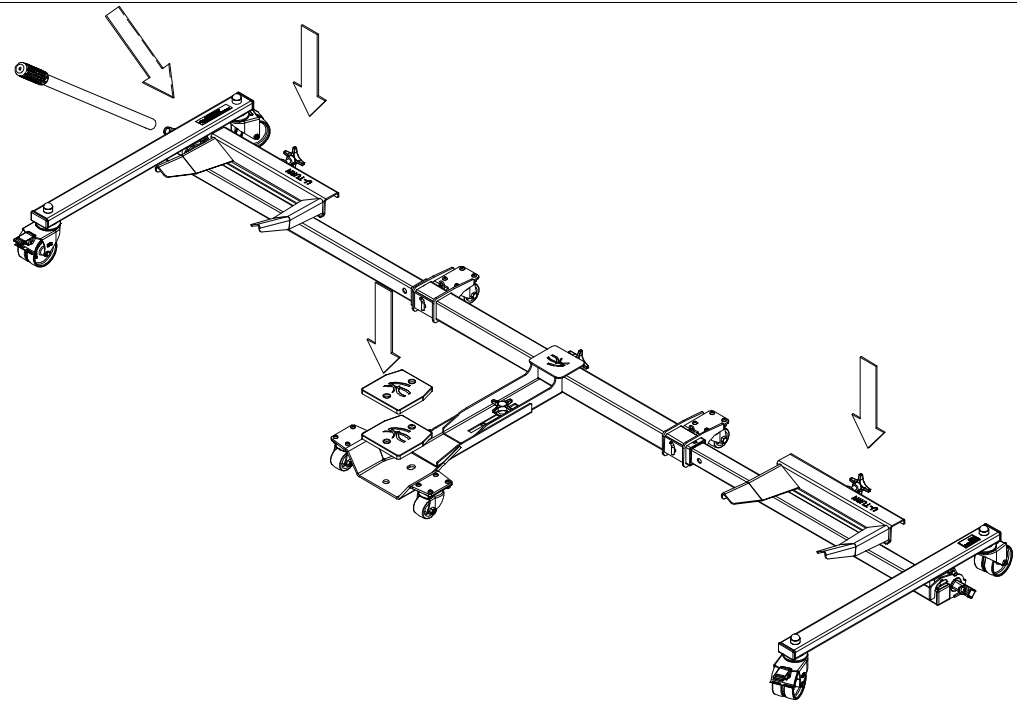
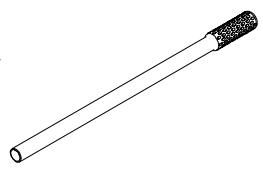
2x



1x



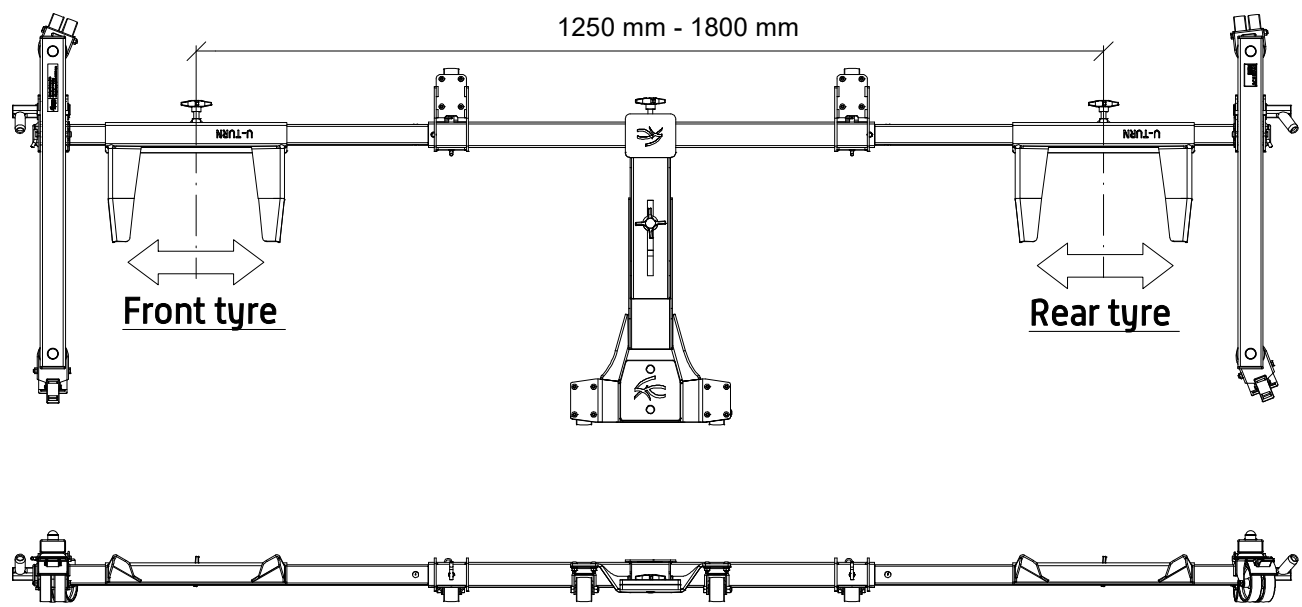
1x



5

Wheel base adjustment

1250 mm - 1800 mm

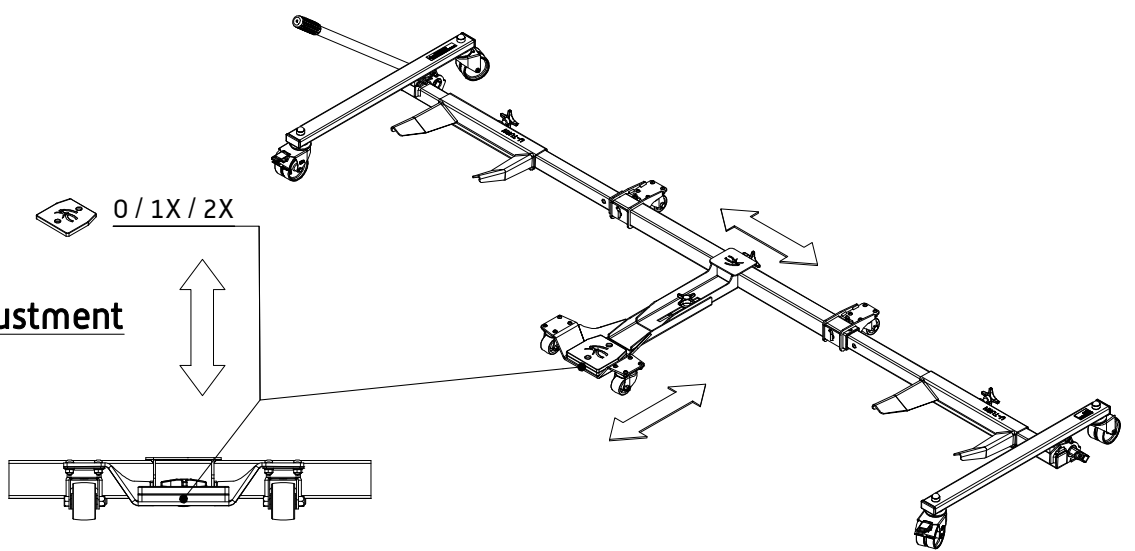


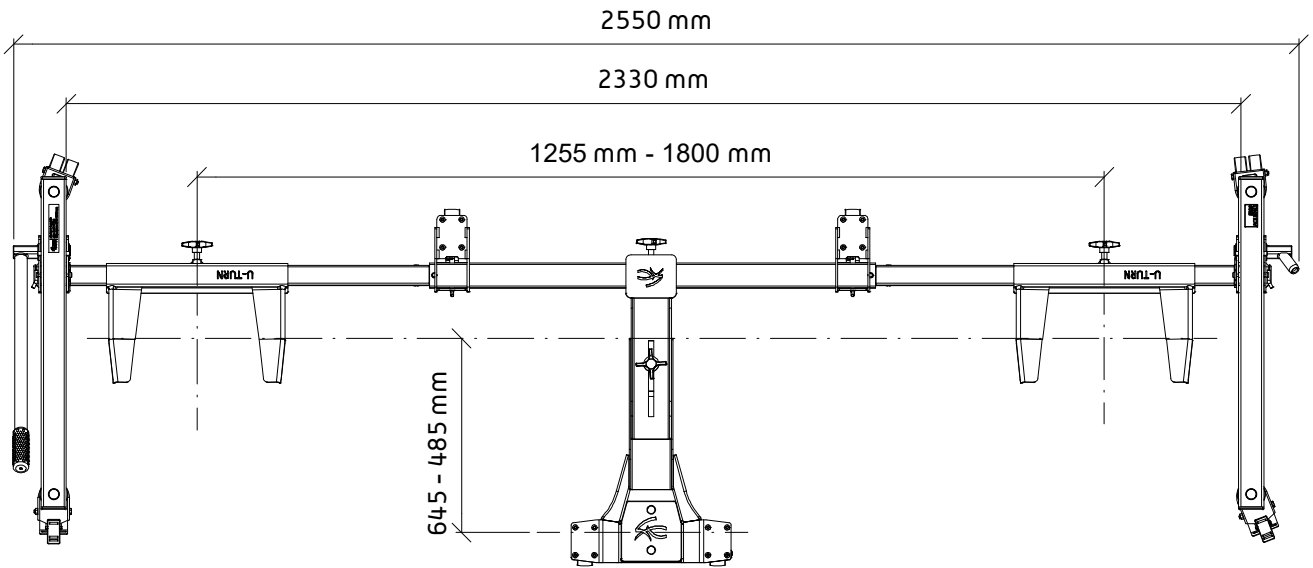
6

Position kickstand adjustment

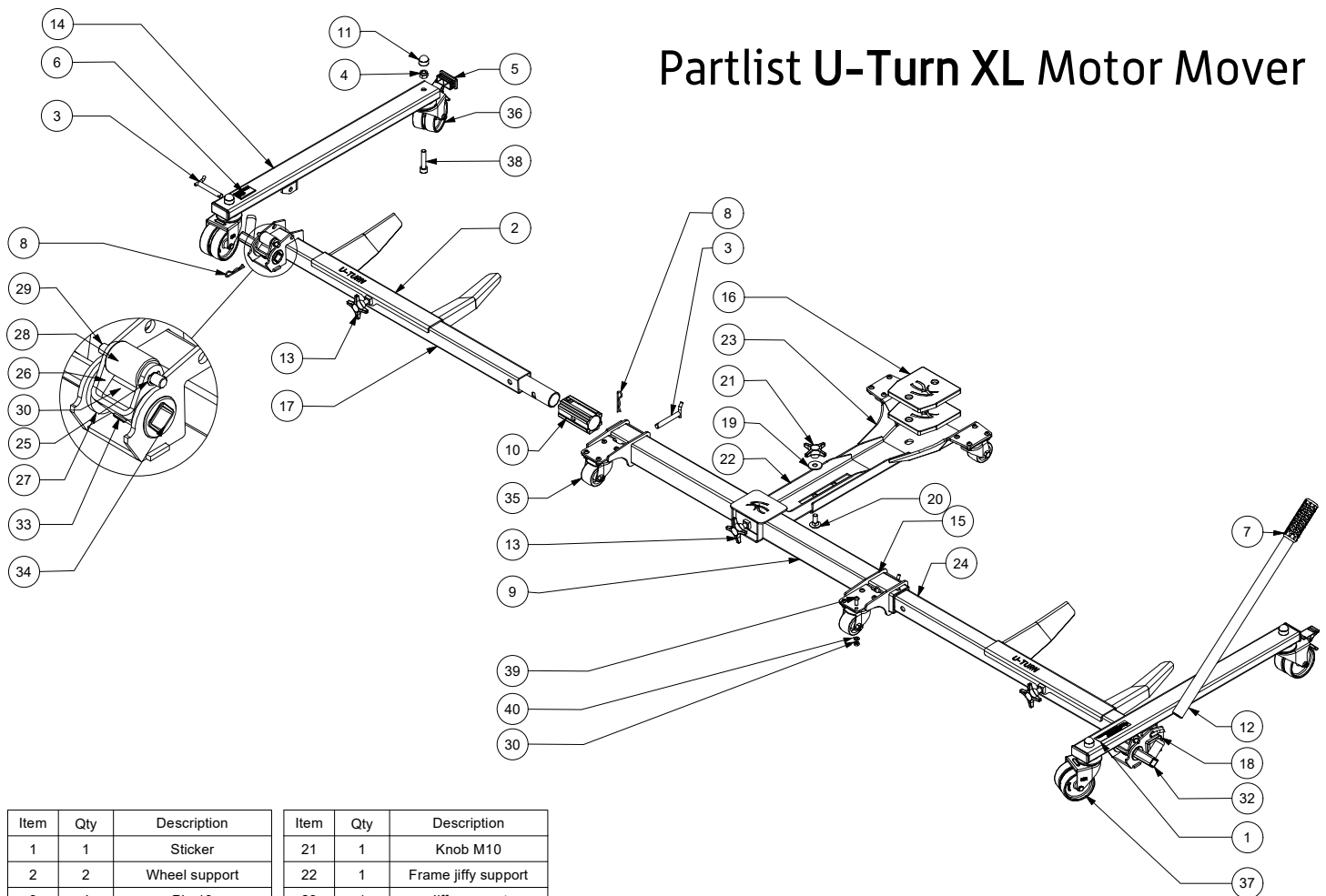
Height adjustment

0 / 1X / 2X





Partlist U-Turn XL Motor Mover



Item	Qty	Description
1	1	Sticker
2	2	Wheel support
3	4	Pin 10
4	4	Lock Nut M10
5	4	Cap 50x30
6	1	Sticker
7	1	Rubber grip
8	4	Spring cotter
9	1	Tube 50 middle
10	2	Plastic bearing
11	4	Plastic cap 17
12	1	Handle
13	3	Knob M10x20
14	2	Frame part castors
15	2	Castor support
16	2	Filling plate jiffy
17	1	Frame part left
18	2	Cap 40
19	1	Washer 10
20	1	Bolt M10x25

Item	Qty	Description
21	1	Knob M10
22	1	Frame jiffy support
23	1	Jiffy support
24	1	Frame part right
25	4	Retaining washer 8
26	2	Lever roller
27	4	Plastic bearing 20
28	2	Roller
29	2	Axle 8
30	18	Nut M6
31	1	Bolt M6x30
32	1	Axle front
33	1	Cyl. head cap M
34	1	Axle back
35	4	Caster 50x30
36	2	Caster 2x75x23
37	2	Caster 2x75x23 Brake
38	4	Bolt M10x50
39	16	Bolt M6x16
40	16	Washer 6